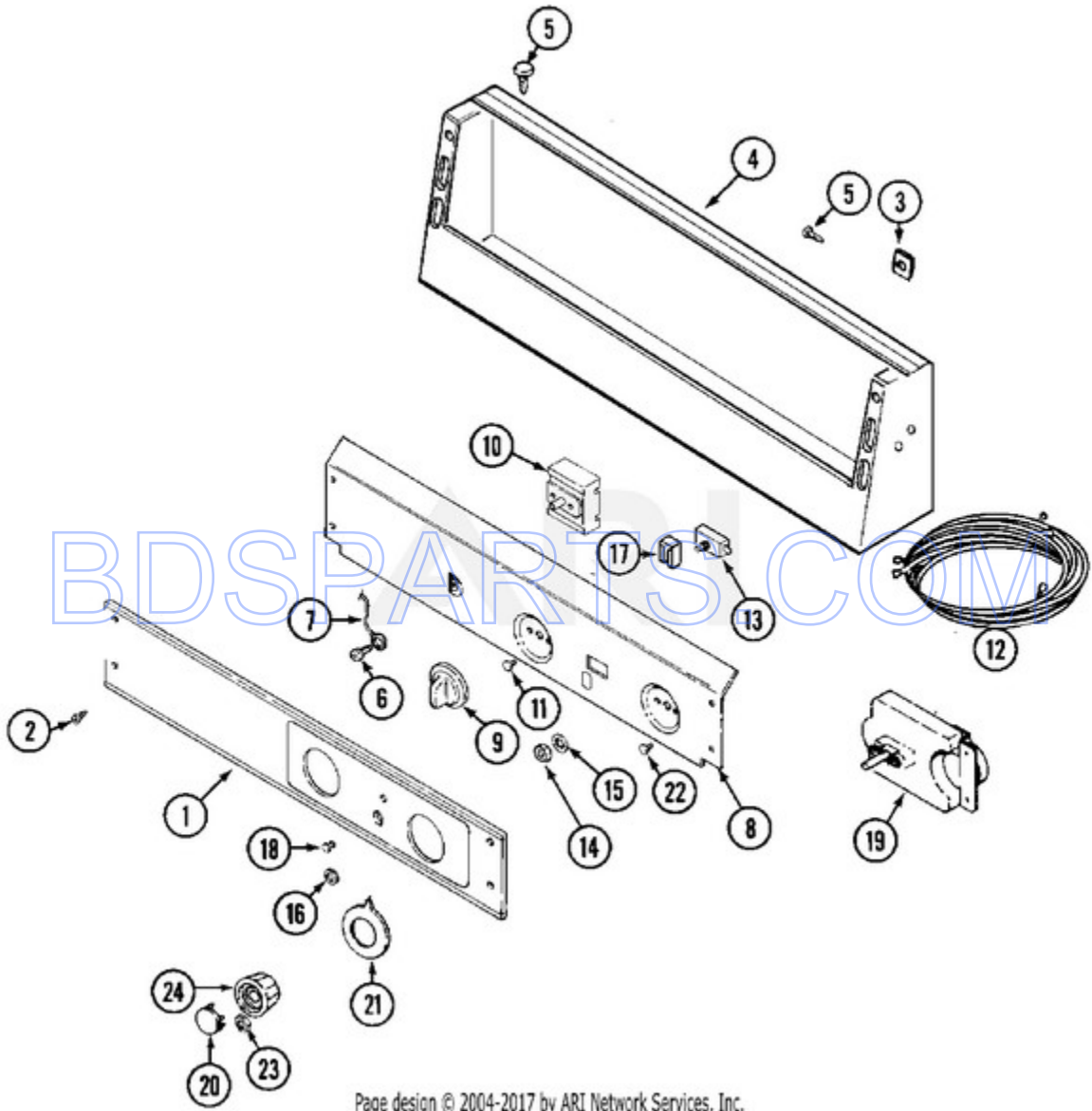
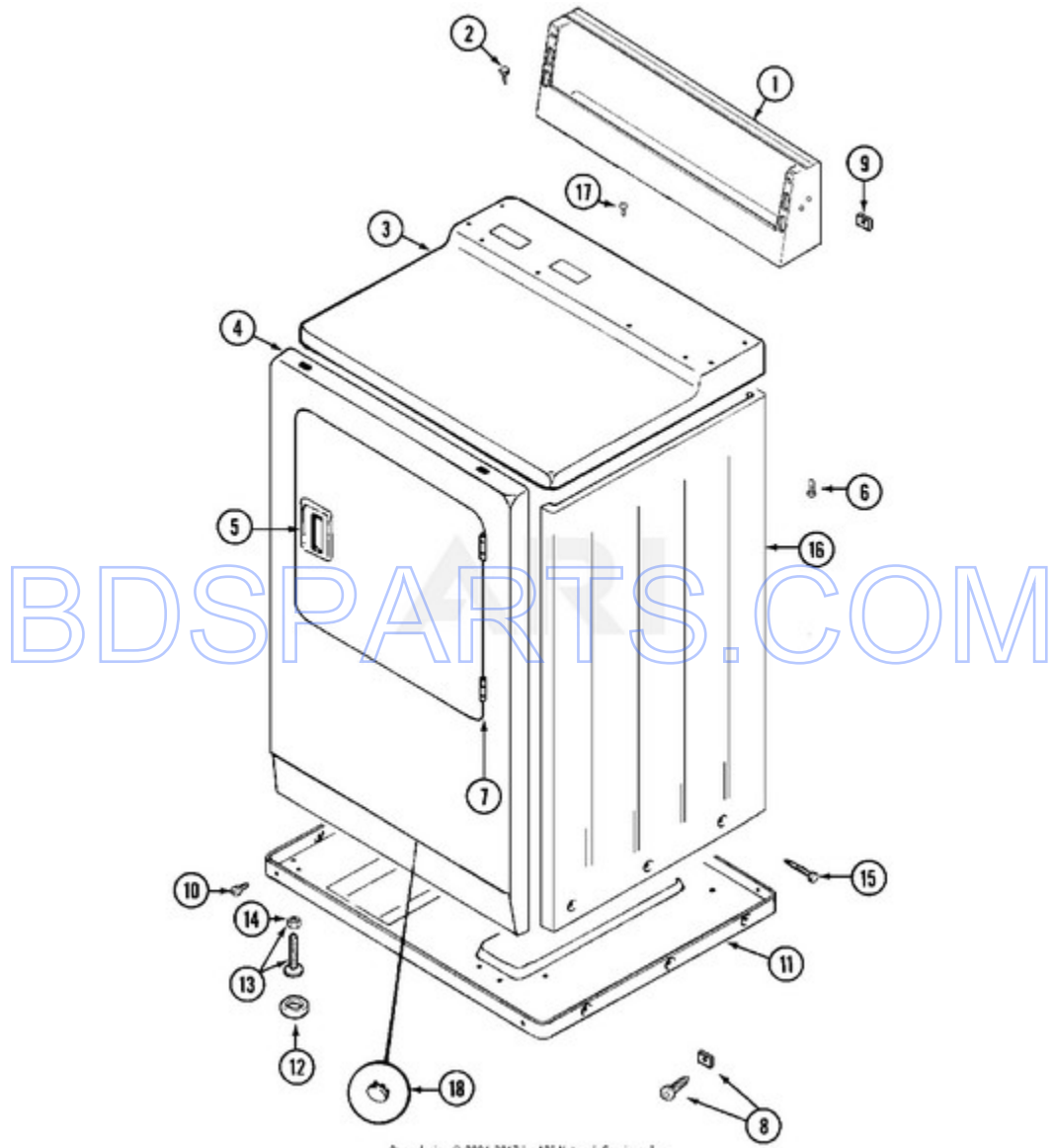


MDG10MNAAW - 01 - CONTROL PANEL



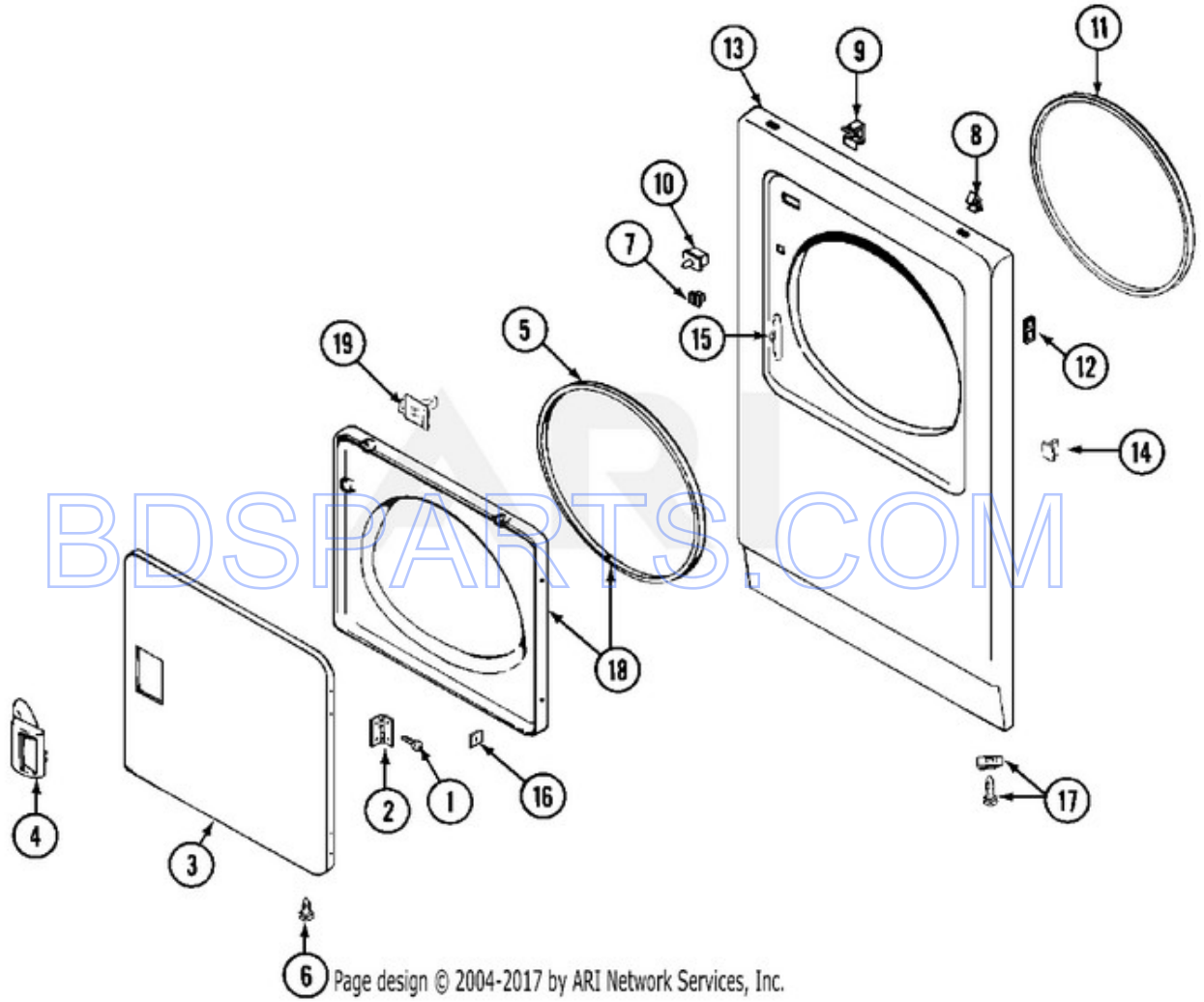
Ref #	Part #	Description	Qty	Context	Note	MSRP
1	33001021	PANEL, CONTROL	1	Series A0		
2	215506	SCREW, CONTROL PANEL	4	Series A0		
3	215003	FASTENER, CONTROL PANEL	2	Series A0		
4	33001280	CONSOLE (WHT)	1	Series A0		
5	212276	SCREW, CONSOLE	4	Series A0		
6	211252	SCREW, GROUND WIRE	1	Series A0		
7	205810	WIRE, GROUND	1	Series A0		
8	NLA	BRACKET, CONTROL PANEL (WHT)	1	Series A0		
9	306938	KNOB, SELECTOR	1	Series A0		
10	307237	SWITCH, CYCLE SELECTOR	1	Series A0		
11	Y313588	SCREW, SELECTOR SWITCH	2	Series A0		
12	308510	WIRE HARNESS, MAIN	1	Series A0		
12	33001522	WIRE HARNESS, MAIN	-	Series 16		
12	33001524	WIRE HARNESS, MAIN	1	Series 16		
12	NLA	WIRE HARNESS, MAIN	-	Series A0		
13	306940	SWITCH, PUSH-TO-START	1	Series A0		
14	Y312706	NUT, SWITCH	1	Series A0		
15	312751	WASHER, SWITCH	1	Series A0		
16	Y312702	NUT, KNURLED	1	Series A0		
17	204075	LIGHT, INDICATOR	1	Series A0		
17	22001365	(240V-50HZ)	-	Series A0		
18	215564	LENS, INDICATOR LIGHT	1	Series A0		
19	305214	TIMER	1	Series A0		
19	Y305758	(240V-50HZ)	-	Series A0		
20	314723	CAP, TIMER KNOB	1	Series A0		
21	314725	SKIRT, TIMER DIAL	1	Series A0		
21	33001500	SKIRT, TIMER DIAL	1	Series 12		
22	Y313588	SCREW, TIMER	2	Series A0		
23	312273	NUT, TIMER KNOB	1	Series A0		
24	314724	KNOB, TIMER	1	Series A0		

MDG10MNAAW - 02 - CABINET (FRONT)



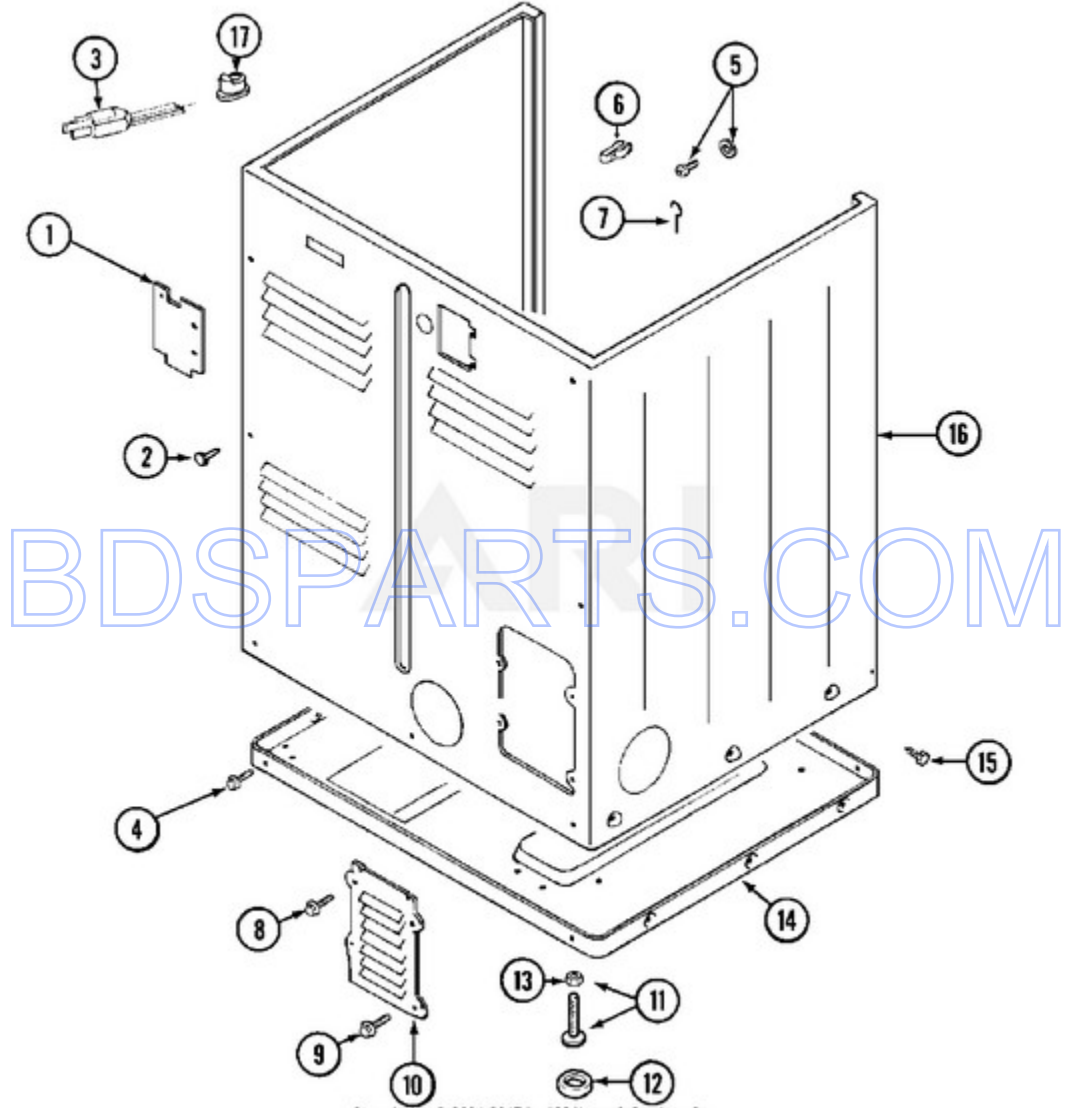
Ref #	Part #	Description	Qty	Context	Note	MSRP
1	33001280	CONSOLE (WHT)	1	Series A0		
2	212276	SCREW, CONSOLE	4	Series A0		
3	33001165	COVER, TOP (WHT)	1	Series A0		
4	NLA	PANEL, FRONT (WHT)	1	Series A0		
5	33001241	HANDLE, DOOR (WHT)	1	Series A0		
6	214354	SCREW, TOP COVER	2	Series A0		
7	33001230	HINGE, DOOR	2	Series A0		
8	204439	SCREW & FASTENER ASSEMBLY	1	Series A0		
9	215075	FASTENER, CONTROL PANEL	2	Series A0		
10	Y313561	SCREW, CABINET	2	Series A0		
10	Y310632	SCREW, CABINET	3	Series A0		
11	Y303361	BASE ASSEMBLY	1	Series A0		
12	Y314137	FOOT, RUBBER	4	Series A0		
13	Y305086	ADJUSTABLE LEG & NUT	4	Series A0		
14	Y052740	NUT, LEG	4	Series A0		
15	213007	SCREW, CABINET SIDES	6	Series A0		
16	NLA	CABINET (WHT)	1	Series A0		
17	210186	SCREW, GROUND CONSOLE	1	Series A0		
18	33001132	PLUG, SIGHT HOLE (WHT)	1	Series A0		

MDG10MNAAW - 03 - DOOR



Ref #	Part #	Description	Qty	Context	Note	MSRP
1	Y314062	SCREW,HINGE,DOOR,& PANEL	14	Series	A0	
2	33001230	HINGE, DOOR	2	Series	A0	
3	33001240	DOOR (WHT)	-	Series	A0	
3	33001257	(ALM)	1	Series	A0	
4	33001241	HANDLE, DOOR (WHT)	-	Series	A0	
4	33001254	(ALM)	1	Series	A0	
5	33001131	SEAL, DOOR	1	Series	A0	
6	33001132	PLUG, SIGHT HOLE (WHT)	-	Series	A0	
6	33001168	(ALM)	2	Series	A0	
7	Y304578	CATCH, DOOR (FEMALE)	2	Series	A0	
8	212982	FASTENER, SPRING	2	Series	A0	
9	Y310376	CLIP, CABLE	1	Series	A0	
10	33001509	SWITCH, DOOR	1	Series	16	
10	Y305753	SWITCH, DOOR	1	Series	A0	
11	314937	SEAL, FRONT PANEL	1	Series	A0	
12	NLA	SPEEDNUT, HINGE SCREW	4	Series	A0	
12	NLA	SCREW, PLASTIC	4	Series	A0	
13	NLA	PANEL, FRONT (WHT)	-	Series	A0	
14	NLA	PLUG, DOOR CATCH	1	Series	A0	
15	33001175	COVER, HINGE HOLE (WHT)	-	Series	A0	
15	33001176	(ALM)	2	Series	A0	
16	Y313910	FASTENER, INNER DOOR	9	Series	A0	
17	204439	SCREW & FASTENER ASSEMBLY	1	Series	A0	
18	33001243	DOOR, INNER (W/SEAL)	1	Series	A0	
19	314936	STRIKE, DOOR	1	Series	A0	
19	314944	BRACKET, STRIKE	1	Series	A0	

MDG10MNAAW - 04 - CABINET (REAR)

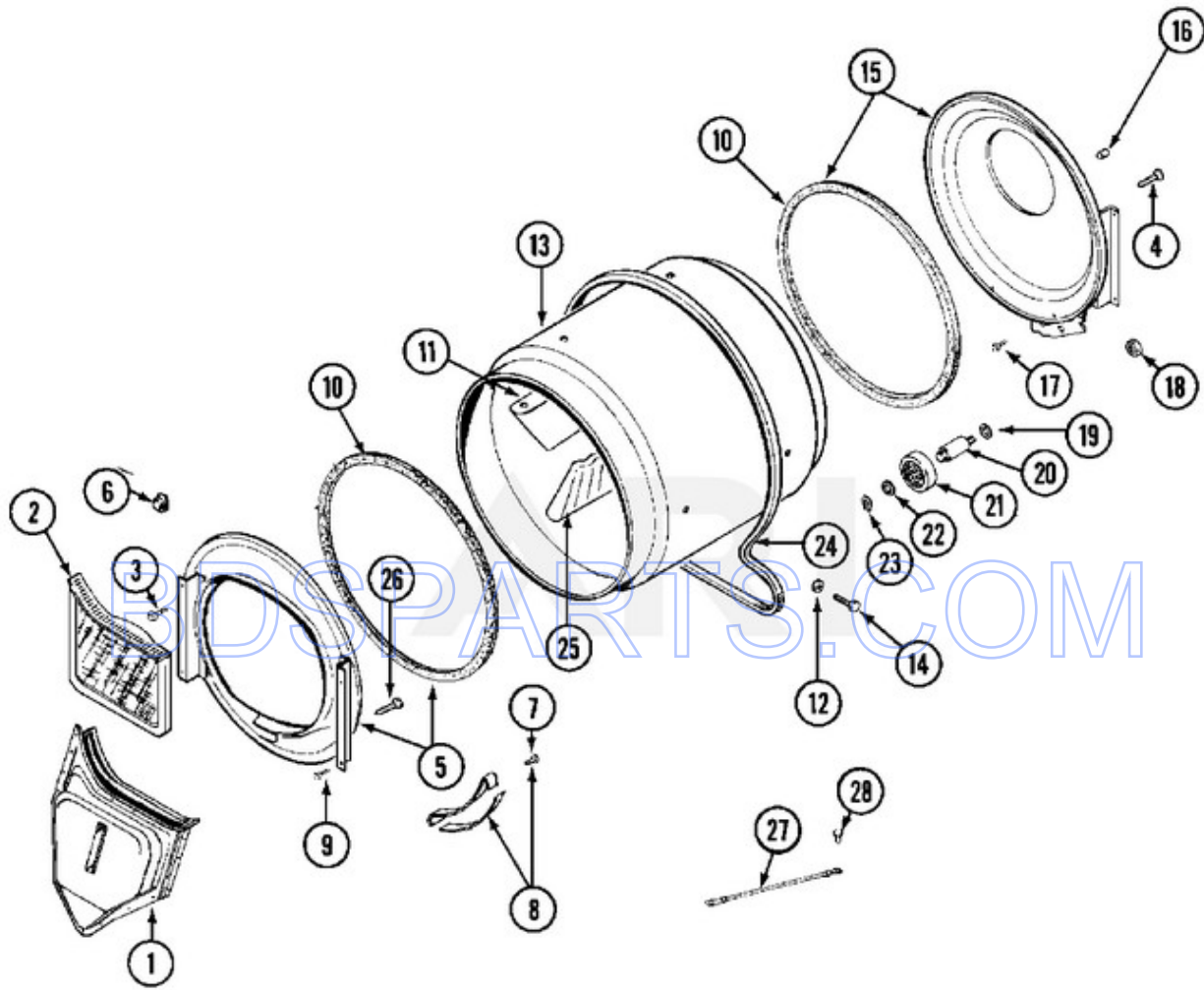


Ref #	Part #	Description	Qty	Context Note	MSRP
1	Y312905	COVER, TERMINAL	1	Series A0	
2	Y313561	SCREW, TERMINAL COVER	1	Series A0	
3	210186	SCREW, GROUND	1	Series A0	
3	211294	SCREW, GROUND	2	Series A0	
3	33001284	CORD, POWER	1	Series A0	
4	Y313561	SCREW, CABINET	2	Series A0	
4	Y310632	SCREW, CABINET	3	Series A0	
5	NLA	SCREW & WASHER ASSY.	1	Series A0	
6	301548	CLAMP, GROUND & SCREW	1	Series A0	
7	204807	WIRE, GROUND	1	Series A0	
8	Y313559	SCREW, ACCESS COVER	2	Series A0	
9	211294	SCREW, ACCESS COVER	3	Series A0	
10	Y312951	COVER, ACCESS	1	Series A0	
11	Y305086	ADJUSTABLE LEG & NUT	4	Series A0	
12	Y314137	FOOT, RUBBER	4	Series A0	
13	Y052740	NUT, LEG	4	Series A0	
14	Y303361	BASE ASSY.	1	Series A0	
15	213007	SCREW, CABINET SIDES	6	Series A0	
16	NLA	CABINET (WHT)	1	Series A0	
17	211881	GROMMET, CORD	1	Series A0	

BSPARTS.COM

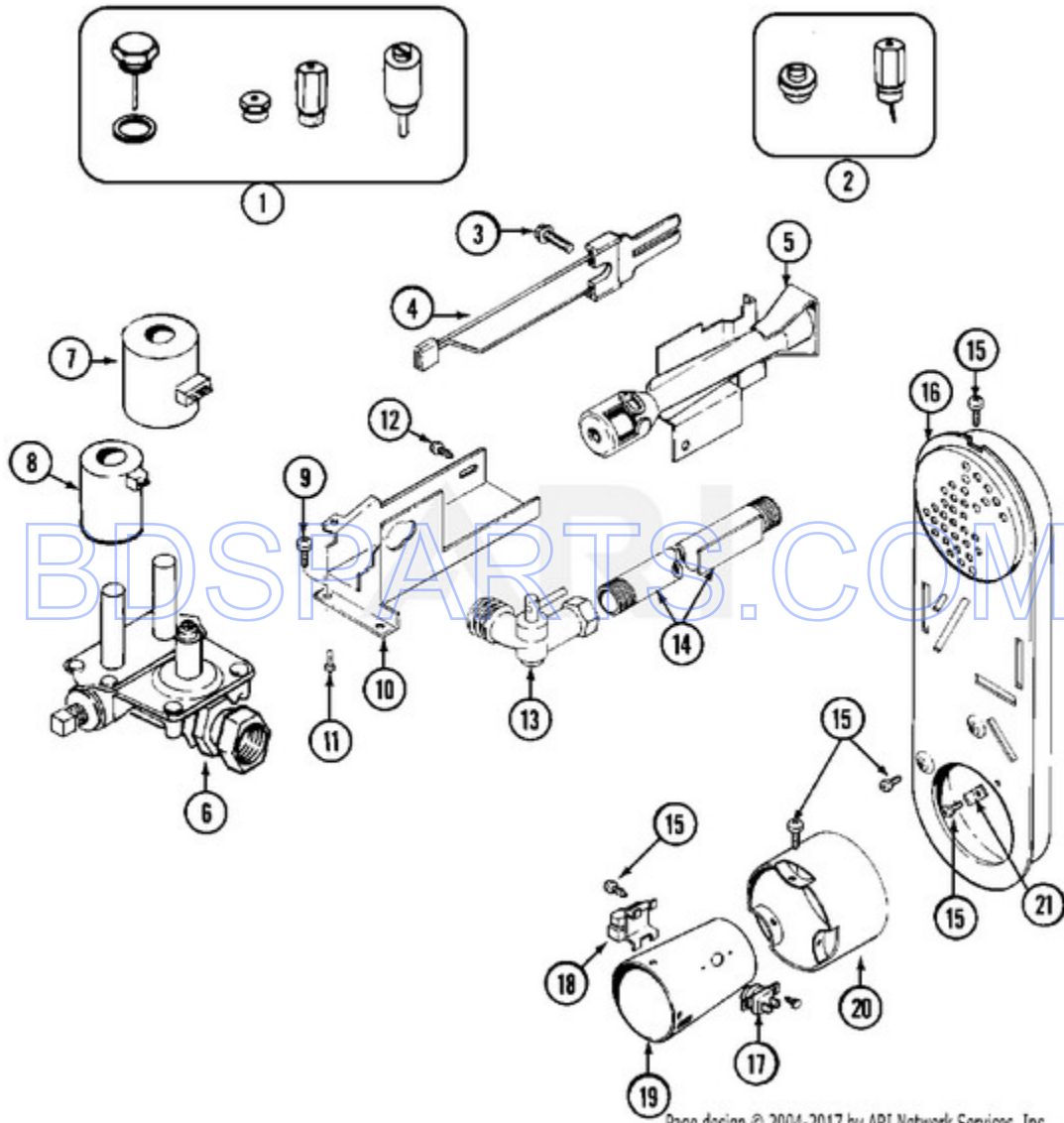


MDG10MNAAW - 05 - TUMBLER



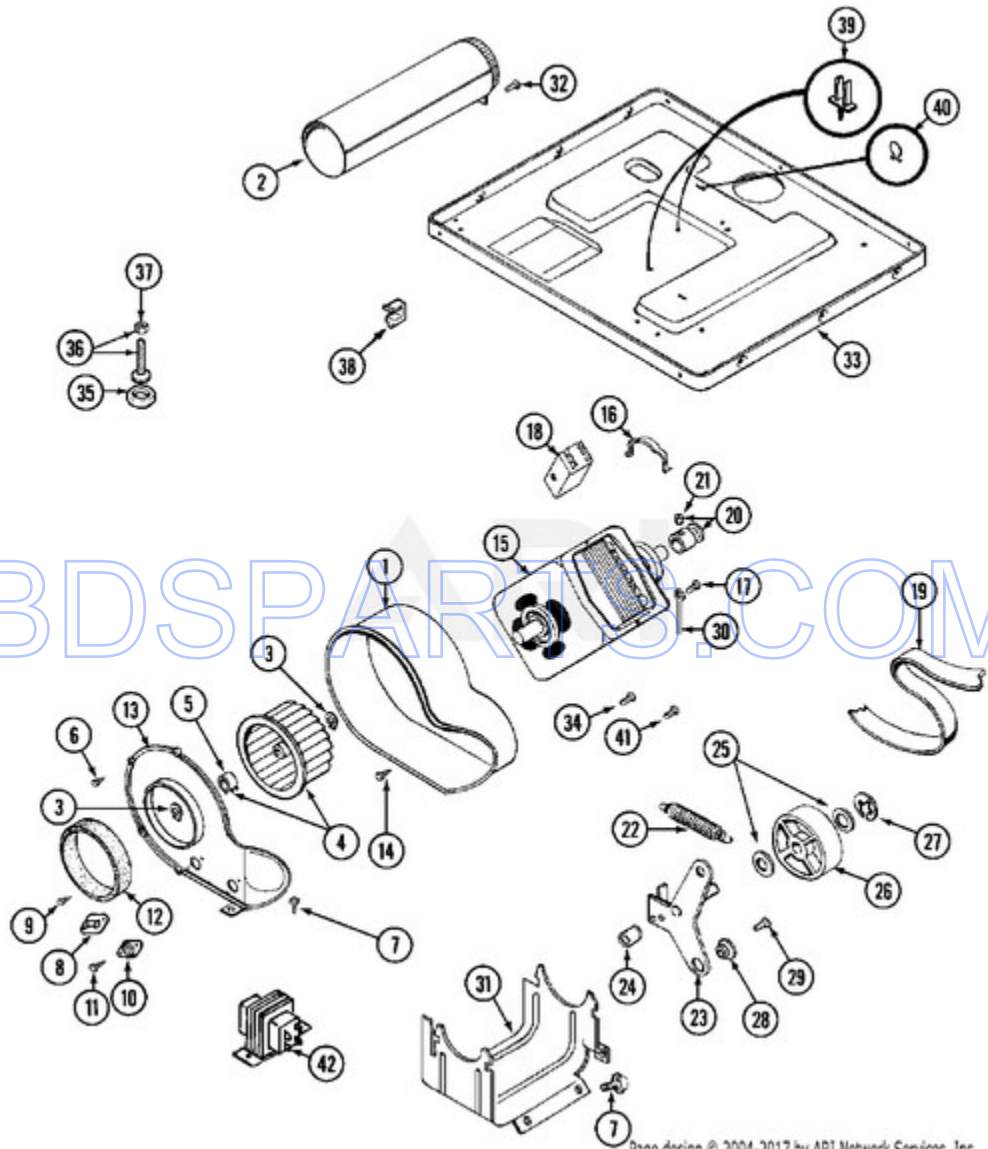
Ref #	Part #	Description	Qty	Context Note	MSRP
1	33001016	DUCT ASSY., OUTLET	1	Series A0	
2	33001170	FILTER, LINT	1	Series A0	
3	NLA	SCREW, TUMBLER SUPPORT	4	Series A0	
4	Y313561	SCREW, TUMBLER FRONT	2	Series A0	
5	33001179	FRONT, TUMBLER (W/SEAL)	1	Series A0	
6	Y310376	CLIP, CABLE	1	Series A0	
7	210720	RIVET	4	Series A0	
8	306508	TUMBLER BEARING KIT ----W	2	Series A0	
9	Y310632	SCREW, TUMBLER FRONT	3	Series A0	
10	314820	SEAL, TUMBLER	2	Series A0	
11	33001012	BAFFLE (SHORT)	1	Series A0	
12	314158	WASHER, BAFFLE	6	Series A0	
13	33001108	DRYER TUMBLER, W/O BAFFLES	1	Series A0	
14	Y310759	SCREW, TUMBLER BAFFLE	6	Series A0	
15	33001178	BACK, TUMBLER (W/SEAL)	1	Series A0	
16	NLA	COVER, THREAD	4	Series A0	
17	Y310632	SCREW, TUMBLER BACK	3	Series A0	
18	312538	NUT, ROLLER SHAFT	2	Series A0	
19	Y313347	WASHER, SPRING (ROLLER SFT)	2	Series A0	
20	Y312948	SHAFT, TUMBLER ROLLER----C	2	Series A0	
21	Y303373	ROLLER (W/BEARING)	2	Series A0	
22	312535	WASHER, ROLLER SHAFT	2	Series A0	
23	410233	RING, RETAINING	2	Series A0	
24	Y312959	BELT, DRUM	1	Series A0	
25	33001004	BAFFLE (TALL)	2	Series A0	
26	Y314110	SCREW, OUTLET DUCT	4	Series A0	
27	901220	WIRE, GROUND	1	Series A0	
28	910343	SCREW, GROUND WIRE	1	Series A0	

MDG10MNAAW - 06 - GAS VALVE



Ref #	Part #	Description	Qty	Context Note	MSRP
1	Y308378	CONVERSION KIT (NAT TO LP)	1	Series A0	
2	Y308377	CONVERSION KIT (LP TO NATURAL)	1	Series A0	
3	304971	SCREW, IGNITER	1	Series A0	
4	304970	IGNITER ASSY.	1	Series A0	
5	33001247	BURNER ASSY.	1	Series A0	
6	308345	VALVE, GAS	1	Series A0	
7	306106	COIL, HOLDING & BOOSTER--W	1	Series A0	
8	306105	COIL, SECONDARY--W	1	Series A0	
9	Y313561	SCREW, GAS VALVE ASSY.	1	Series A0	
10	314566	BRACKET, GAS VALVE	1	Series A0	
11	Y313559	SCREW, GAS VALVE ASSY.	1	Series A0	
12	314082	SCREW, GAS VALVE	1	Series A0	
12	314568	SCREW, GAS VALVE	1	Series A0	
13	Y303349	SHUT-OFF, GAS VALVE	1	Series A0	
14	Y303383	PIPE & BRACKET ASSY.	1	Series A0	
15	211294	SCREW, DUCT, CONE & SENSOR	14	Series A0	
16	Y308504	INLET DUCT ASSY.	1	Series A0	
17	305169	THERMOSTAT, HI-LIMIT GAS	1	Series A0	
18	Y303377	SENSOR, RADIANT	1	Series A0	
19	Y308548	CONE, COMBUSTION ASSY.	1	Series A0	
20	Y303841	EXTENSION, CONE (W/SCREWS)	1	Series A0	
21	Y312890	RETAINER, HEATER CHAMBER	1	Series A0	

MDG10MNAAW - 07 - MOTOR DRIVE



Ref #	Part #	Description	Qty	Context	Note	MSRP
1	Y312893	HOUSING, BLOWER	1	Series A0		
2	Y303442	EXHAUST DUCT ASSEMBLY	1	Series A0		
3	410233	RING, RETAINING	2	Series A0		
4	Y303836	BLOWER WHEEL ASSEMBLY	1	Series A0		
5	312967	CLAMP, BLOWER WHEEL	1	Series A0		
6	Y312961	SCREW, HOUSING COVER	6	Series A0		
7	Y313561	SCREW, HOUSING COVER	3	Series A0		
8	303392	THERMOSTAT, CYCLING (140 DEG.)	1	Series A0		
8	306966	THERMOSTAT, CYCLING (155 DEG.)	1	Series A0		
9	211294	SCREW, THERMOSTAT	2	Series A0		
10	306604	CUT-OFF, THERMAL	1	Series A0		
11	NLA	SCREW, THERMAL CUT-OFF	2	Series A0		
12	Y312901	SEAL, HOUSING COVER	1	Series A0		
13	314778	COVER, BLOWER HOUSING	1	Series A0		
14	Y310632	SCREW, BLOWER HOUSING	4	Series A0		
15	Y303358	MOTOR	1	Series A0		
15	Y304656	(240V-50HZ)	-	Series A0		
16	Y015825	CLIP, MOTOR	2	Series A0		
17	910343	SCREW, GROUND WIRE	1	Series A0		
18	306207	(PROD. No. 303358-8 & 303358-9)				
18	NLA	SWITCH, MOTOR EXTERNAL START	1	Series A0		
18	Y303877	SWITCH, MOTOR EXTERNAL START (PROD. No. 303358-2, 303358-4)	1	Series A0		
18	Y303879	SWITCH, MOTOR EXTERNAL START (PROD. No. 303358 & 303358-6)	1	Series A0		
19	Y312959	BELT, TUMBLER & MOTOR	1	Series A0		
20	305186	PULLEY, MOTOR (W/SET SCREW)	-	Series A0		
20	Y305185	PULLEY, MOTOR (W/SET SCREW)	1	Series A0		
21	Y053241	SCREW, SET	1	Series A0		
22	Y303945	IDLER SPRING ASSEMBLY	1	Series A0		
23	Y303363	IDLER ARM & SHAFT ASSEMBLY	1	Series A0		
24	Y313582	SPACER, IDLER BRACKET	1	Series A0		
25	Y312527	WASHER, IDLER SHAFT (QTY-1)	2	Series A0		
26	Y303705	PULLEY, IDLER	1	Series A0		
27	312958	RING, RETAINING	1	Series A0		
28	Y312894	SLEEVE, IDLER ARM ----S	1	Series A0		
29	Y014874	SCREW, IDLER ARM	1	Series A0		
30	901220	WIRE, GROUND	1	Series A0		
31	NLA	SUPPORT, MOTOR	1	Series A0		
32	Y310632	SCREW, EXHAUST DUCT	1	Series A0		

Ref #	Part #	Description	Qty	Context	Note	MSRP
33	Y305084	BASE ASSEMBLY	1		Series A0	
34	211294	SCREW, GROUND WIRE	1		Series A0	
35	Y314137	FOOT, RUBBER	4		Series A0	
36	Y305086	ADJUSTABLE LEG & NUT	4		Series A0	
37	Y052740	NUT, LEG	4		Series A0	
38	Y310376	CLIP, CABLE	1		Series A0	
39	315471	RETAINER, WIRE	1		Series A0	
40	410490	SPRING, WIRE HARNESS	2		Series A0	
41	Y312961	SCREW, SPACER	1		Series A0	
42	211294	SCREW, TRANSFORMER	-		Series A0	
42	307928	TRANSFORMER	-		Series A0	

BDSPARTS.COM